

Quotation

#43217 BLYT Velasco

EXPIRED

PR NAUTICA

Date | 6 February 2017
 Quotation Number | 43217
 Expiration Date | 8 March 2017

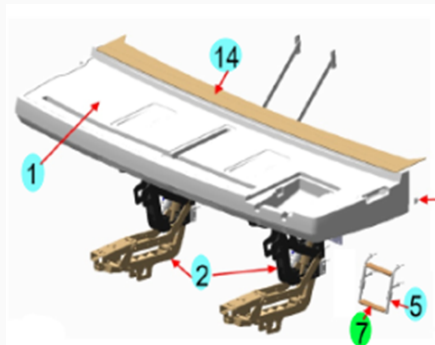
From | PR Nautica Ltd.
 Eastern Hangar, Lawrence Road
 Plymouth, Devon PL9 9SJ
 GB

Quotation Total | £58,116.50

To | Boat Lagoon Yachting Co Ltd
 22/1 Moo 2 Thepkrasattri Rd.
 Koh Kaew, Muang
 Phuket, 83000
 TH

Task	Rate	Qty	Amount
------	------	-----	--------

Hydraulic Swim Platform	£33,159.30	1	£33,159.30
-------------------------	------------	---	------------



To supply a Hydraulic Swim Platform for a Velasco 43 to include; GRP Platform, Teak, 600kg Tender Lift, Swim Ladder, and Guard rail.

Labour	£12,750.00	1	£12,750.00
--------	------------	---	------------

To supply two technicians to install hydraulic swim platform. This allows 2 full weeks installation plus 3 days travel time

Travel	£7,207.20	1	£7,207.20
To include; Car Hire, Flights, Transfers, Hotel and Subsistence			
Shipping – Estimated	£5,000.00	1	£5,000.00

Subtotal £58,116.50
Total ? £58,116.50

Terms

Please note our terms of business that apply, as per British Marine Federation Terms of Business Edition 15a.

Our full terms and conditions can be found at <https://prnautica.com/terms-of-business/>

Registered in England 05692821, VAT No. 878 3861 63, EORI No. GB878386163000

<https://prnautica.com> web@prnautica.com

